

Gully Trap



STR Z gully trap is intended for connections of discharge domestic waste and/or rainwater and for installation in non-vehicular traffic areas. It terminates at surface level with removable grating provided for cleaning purposes. Romold Z Gully Trap is manufactured according to BS 4660:2000. High quality 100% virgin UV stabilized polyethylene (PE) raw material is used to make this unique and versatile product.

Height:

400 mm

Width:

380 mm

Top Opening:

170 mm x 170 mm

Spigot outlet:

DN 110 mm

Depth of water seal:

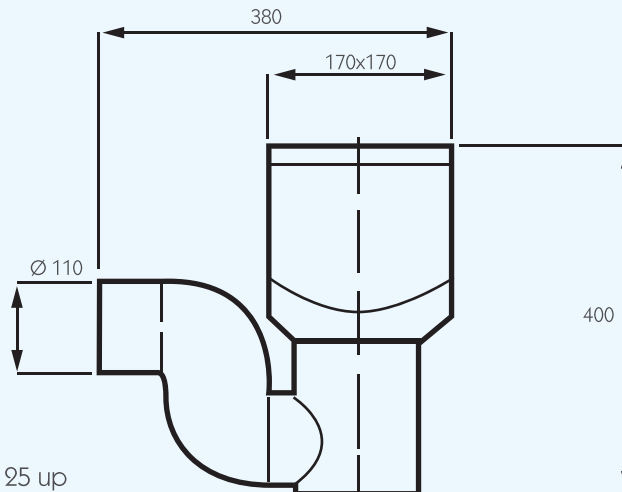
130 mm

Connections:

Inlet connection pipes from DN 25 up to DN 110 can be connected on all four sides.

Standard:

BS 4660 : 2000 (MSB Tested)



Installation procedures

The inlets can be connected all around the Gully trap rectangular surfaces. A total of four inlets of DN 110 mm or smaller size can be connected.

STR is one stop shop for all your house discharge works. Our well established ranges of quality PE products include:

- Sewerage inspection/manholes chambers.
- Gully traps.
- Grease traps for individual and industrial use.
- Water tank 500L, 750L, 1000L, 1500L and 2000L.
- Septic tanks.
- Multi-use, flat base chambers for pumps, valves, electrical and other connections.

Advanced technical support is available for all products from our technical support team and specialist sales.



STR Marketing Ltée

Head Office: Lot No. 23, F/1, F/2, F/3
La Tour Koenig Industrial Zone
Pointe aux Sables, 1924-09 - Mauritius
Tel: +230 235 1700

Retail Outlet: Old Moka Road
Bell Village
P.O. Box 98, Port Louis - Mauritius
Tel: +230 212 9972
Email: info@str.mu
Website: www.str.mu

The inlet connection for discharge waste and rainwater application.

Produce circular openings with the help of a cup saw. Then insert EN-681 certified rubber seal. Clean and push the pointed end of inlet pipe 5 cm in the gully trap using sufficient lubricant (e.g. wash/soap). All type of pipes can be connected to the inlets – PE/PVC/or other.



For rainwater application use the top opening to prevent debris from getting into the gully trap.



Outlets connection for discharge and rainwater application.

The socket of the pipe is to be pushed with the outlet of the gully trap using sufficient lubricant. The outlet of the gully trap should be connected to a PVC RRJ (Rubber ring joint) socket for leak proof connection. **STR** can provide a RRJ coupler of 43 cm for connection to SW PVC pipe.



Back-filling

The gully trap terminates at surface level with removable grating. It can be surrounded with selected fill or lean concrete.

Reference Projects:

- Trou aux Biches Hotel
- Les Allées d'Helvetia
- Athena Villas
- St Regis Hotel
- Belle Rivière Hotel
- West Rock
- Jeetoo Hospital
- Bagatelle Mall of Mauritius
- Azure Villas
- La Mivoie commercial center
- Long Beach Hotel
- Villas Tamarin
- Beach House Hotel
- MCB Ebène