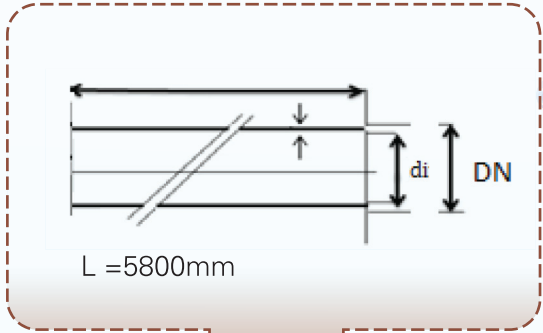




**PP Plain Ended Pipes for Hot and Cold Water Installation**



**Material:** PPR/PPH  
**Colour:** Brown or Green  
**Dimension:** mm  
**Trademark:** Polychaud



Field of application:  
 Plastics piping systems for hot and cold water installations - (PP).

**GENERAL TECHNICAL CHARACTERISTICS**

Geometrical Characteristics	Standard Requirements
- Mean outside diameters	Clause 6.2.1 Table 4 (PPR) Table 5 (PPH)
- Wall Thickness	As per ISO 15874-2 Clause 6.2.2
Mechanical Characteristics	
- Resistance to internal pressure	Clause 7 Table 9 - hoop stress 21.0 Mpa/hour 20°C (PPH) hoop stress 16 Mpa/hour 20°C (BETA PPR)
Physical Characteristics	
- Longitudinal Reversion	Clause 8 Table 10 ; < 2%
- Impact Resistance	Clause 8 table 10 TIR <10%

Diameter mm	Pressure Rating @ 20°C / Wall thickness mm		
	PN 16		
DN	PPH	PPR	di
15	2.0	2.0	11.0
20		2.8	14.4
22	2.7	2.7	16.6
25		3.5	18.0
28	3.4	3.4	21.2

Class 2: PPH PN16 @ 20°C , PN 5 @ 70°C  
 PPR PN16 @ 20°C , PN 6 @ 70°C

Manufactured by STR Marketing Ltd  
 Certified MS ISO 9001:2015 / Carbon Footprint independently verified by ETC-Africa. A member of the Carbon Protocol of South Africa.